



AMERICAN ART CLAY CO., INC.

Manufacturers Since 1919

## BatBrace™

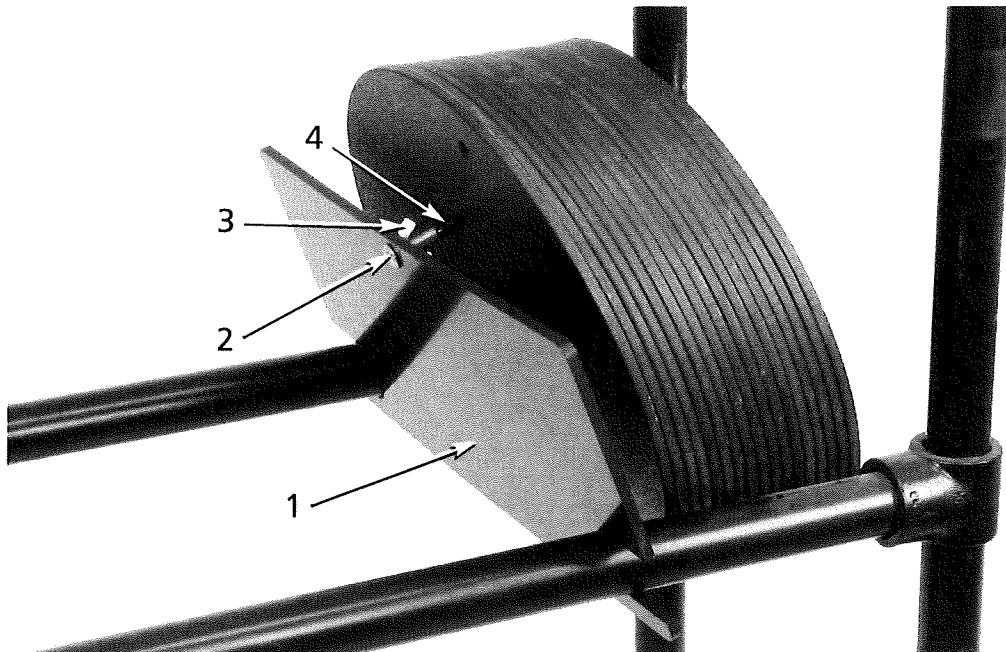
### Parts List

Item #	Part Name	Quantity
1	BatBrace™, Plastic	1
2	Carriage Bolt, 1/4 x 20 x 1 1/2	1
3	Wing nut, 1/4 x 20	1
4	Rubber Cap	1

### Assembly Instructions (no tools needed):

1. Insert the carriage bolt (2) through the hole in the BatBrace™ (1). It doesn't matter from which side.
2. Secure bolt to BatBrace™ using wing nut (3). Tighten finger tight.
3. Place rubber cap (4) over threaded end of carriage bolt (3).
4. Install BatBrace™ onto your Brent® Batmobile as shown below.

**Note:** Bats should lean against the rubber capped bolt when used properly. Ideal for holding fifty 12" or 14" Plasti-bats. Additional BatBraces are suggested for separating larger quantities of bats or bats made of heavier/thicker material.



If you have any questions or need assistance with this or any Amaco/Brent product, please call 800-374-1600.

Thank you