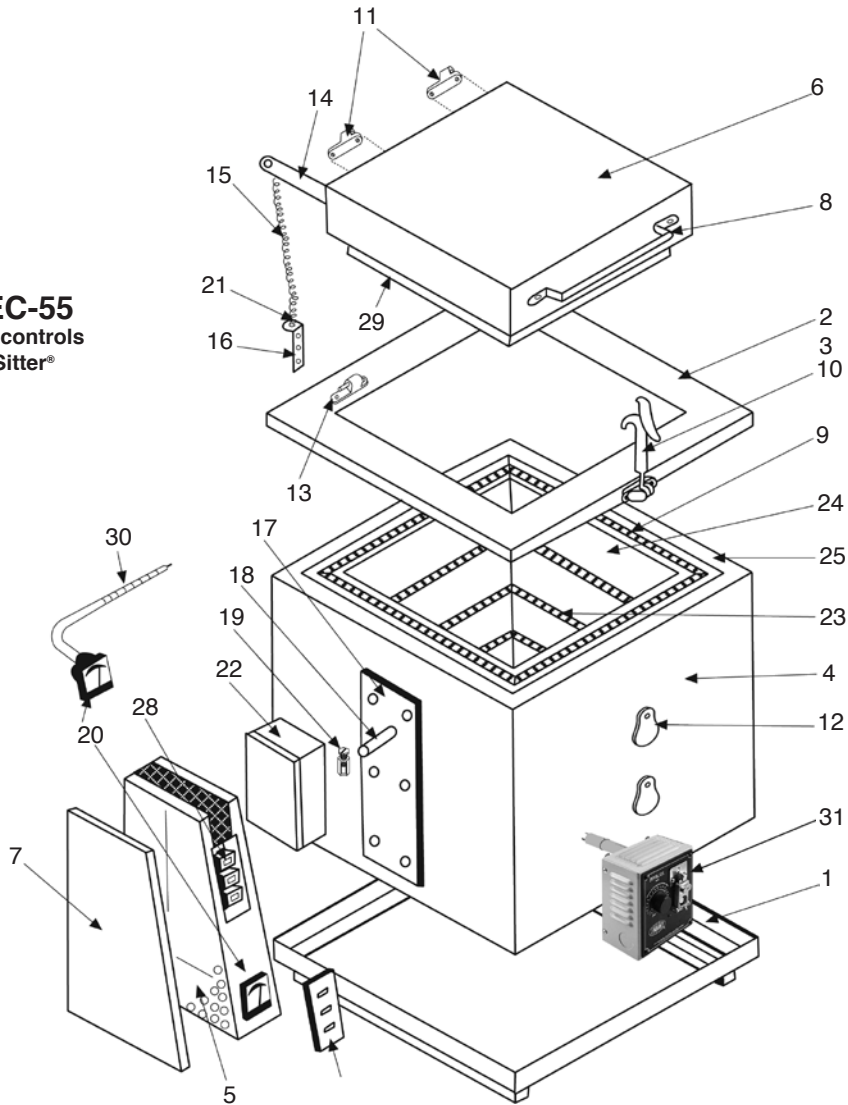


# AMACO® Standard Economy Electric Kiln EC-55

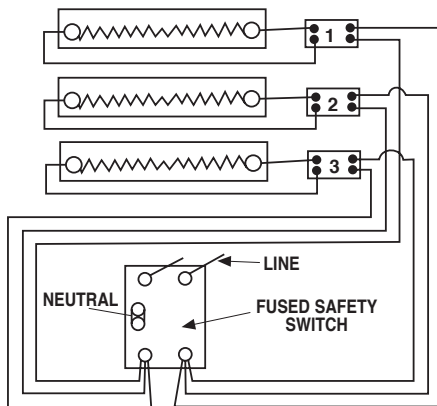
208 or 220-240 Volts AC, Single Phase & Three Phase

**Model EC-55**  
with manual controls  
and Kiln-Sitter®

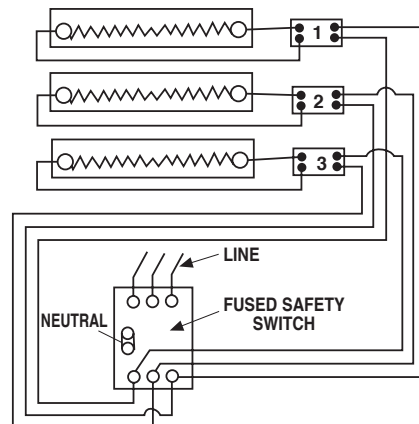


**NOTE:** Part numbers 19-21, 29, 30, and 31 are for Kiln-Sitter® models only. See page 3 for Select Fire™ diagram and parts list.

**208-240 Volts AC, Single Phase  
Manual Control models**



**208-240 Volts AC, Three Phase  
Manual Control models**



## General Information

The AMACO® EC-55 Economy kiln has a maximum attainable temperature of Cone 03 (2019°F, 1104°C). The average fast-fire time required for this kiln to reach 1950°F (1066°C) is 6½ hours. The EC-55 is available with manual control switches or the Select Fire™ Computer Control for precise control, convenience, and consistent results firing after firing. During every firing, pyrometric cones should be placed in the kiln so that they can be viewed through the peephole(s).

This booklet contains a wiring diagram for the EC-55 kiln, Select Fire™ Controller (single and three phase) and a parts list with accompanying drawing for the EC-55 and Select Fire™. Before installing the kiln, consult these diagrams for recommendations on electric service, fuses, etc.

Also included with this booklet is an AMACO® Electric Kilns Installation/Operation/Maintenance manual, which includes important information about selecting a location for your kiln, firing guidelines, do-it-yourself instructions for replacing elements, and complete programming and operating instructions for the Select Fire™ Controller.

### Operating Information for Manual Models with Kiln-Sitter®

The Amaco® EC-55 kiln is equipped with a fused safety switch box and three toggle switches. A pilot light indicates when the kiln is operating.

Close kiln door and latch securely before firing. Turn safety switch to "ON", place the appropriate cone in the Kiln-Sitter®, and push the plunger button. NOTE: If the kiln is equipped with a KilnVent, it must be turned on prior to firing.

The toggle switches operate as follows:

- LOW: Turn on any switch
- MEDIUM: Turn on any two switches
- HIGH: Turn on all three switches

The time required for firing will depend on the temperature to be attained, the number of objects being fired, and electric current fluctuations. Approximate cycle times are as follows:

- LOW: approximately ½ hour
- MEDIUM: approximately ½ hour
- HIGH: until desired temperature is reached

When firing time has been completed, turn off all switches and allow the kiln to cool overnight. If glazed pieces are removed from the kiln when the pieces are too hot, crazing may result due to sudden cooling. NOTE: Kilns equipped with a KilnVent will cool faster.

### Installation of Kiln

Place kiln at least 18 inches from any existing wall at the sides and back. Connect kiln to an electric circuit which corresponds to that stamped on the kiln name plate. No. 6 gauge wire or larger should run from the power supply to the fused safety switch box on the kiln. 35 ampere fuses are required for single phase models, 20 ampere fuses for three phase models.

### KILN SPECIFICATIONS EC-55

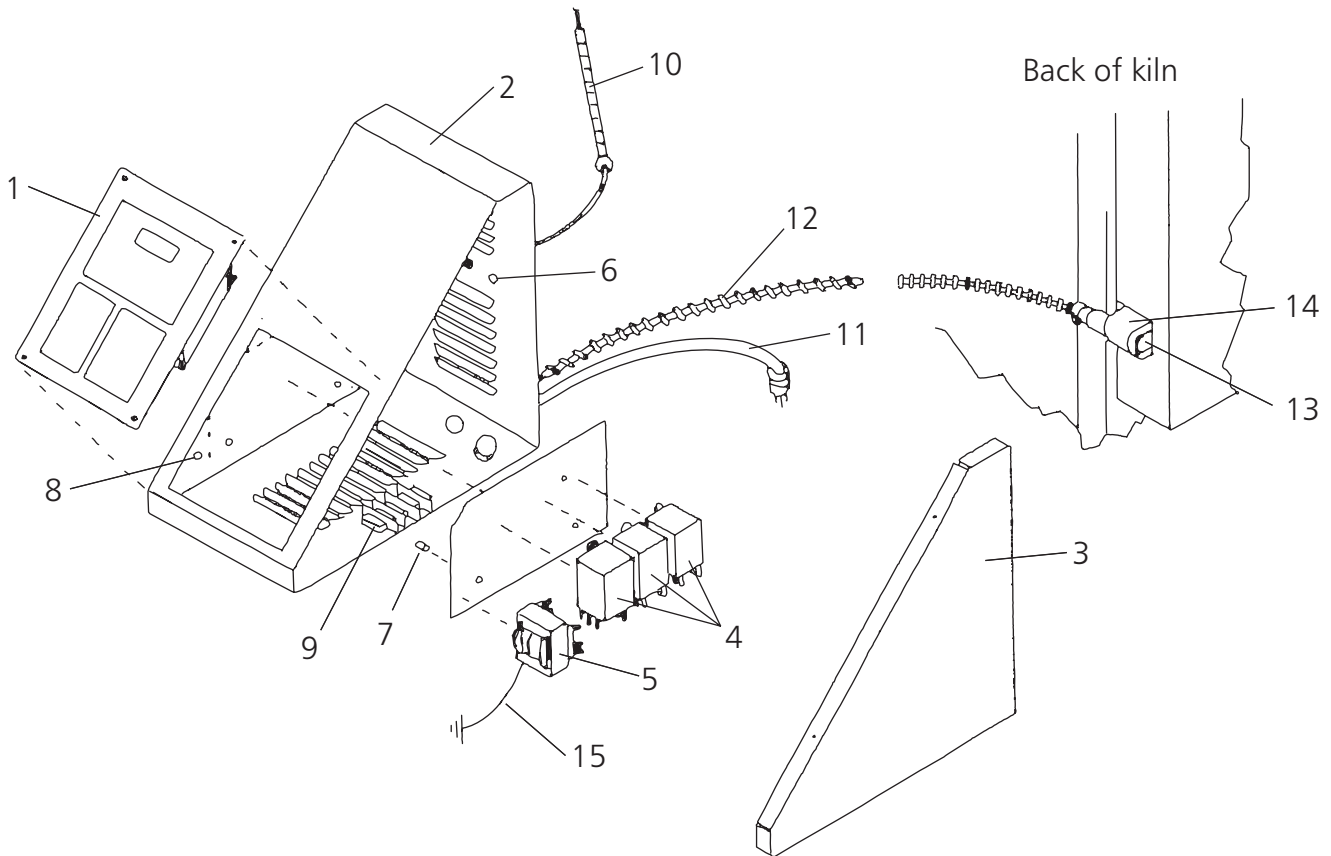
(Single and three phase unless otherwise noted)

Voltage .....	208 or 220-240 volts AC only
Amp Rating.....	28.7 at 208V, 27.1 at 240V (single phase), 16.5 at 208 or 240V (three phase)
Kilowatt Rating .....	6.5
Firing Speed Control .....	Three Toggle Switches or Select Fire™
Maximum Temperature .....	2019°F, 1104°C
Firing Chamber Dimensions (W x D x H).....	18" x 18" x 18"
Firing Chamber Area.....	3.38 cubic feet
Exterior Dimensions (W x D x H) .....	31" x 27¾" x 32½"
Elements.....	Three Wire Coils
Shipping Weight .....	404 lbs.

**Ordering Replacement Parts: when ordering replacement parts for this kiln, be sure to specify the Model Number, Serial Number and Voltage.**

# REPLACEMENT PARTS LIST

## SELECT FIRE™ COMPUTER CONTROL



1	24250P	Select Fire Control	1
2	*	Select Fire Control Box	1
3	*	Select Fire Control Box Cover	1
4	24276H	Relays	3
5	24278K	Transformer	1
6	22134W	Fuse Holder	1
7	*	3/16" spacer	3
8	*	5/8" spacer	3
9	27749M	Terminal Block, 60 amp	
10	28845T	Thermocouple, 72" long lead wire	1
11	27759A	Power cord with plug, single phase	1
11	28674D	Power cord with plug, three phase	1
12	*	Power to coils	1
13	28418L	Conduit Fitting	1
14	28419M	Conduit Cover	1
15	*	Ground (14 gauge wire)	1

\*Special order item. Allow extra time for shipment.

## REPLACEMENT PARTS LIST

### AMACO® STANDARD ECONOMY ELECTRIC KILN EC-55

DETAIL NO.	PART NO.	DESCRIPTION	PARTS/ KILN
1	*	Bottom Frame.....	1
2	*	Top Frame.....	1
3	*	Shell .....	1
4	*	Door Metal Shell Only.....	1
	29754R*	Door Complete - No Hardware.....	
5	*	Terminal Guard .....	1
6	*	Terminal Guard Cover.....	1
7	28129H	Door Handle .....	1
8	29278C	Fiberfrax Rope.....	1
9	28153X	Lid Latch.....	1
10	29025C	Peephole Cover.....	3
11	28073H	Hinge without pin.....	4
12	28072G	Hinge Pin.....	2
13	29231B	Spring Arm .....	2
14	29232C	Spring .....	2
15	29233D	Spring Bracket.....	2
16	29765G	Cem-Fil.....	1
17	28082T**	Insulator #PT-38.....	6
18	28077M**	Terminal Lug #10-U .....	6
19	28108W+	Safety Switch 60 Amp 3 Ph. (ITE JN 422C) - Kiln-Sitter® models only .....	1
20	28063T+	Switch 20 Amp (Sierra 5022X) - Kiln-Sitter® models only.....	3
21	28217H+	Switch Cover (Bell 10-3-C) - Kiln-Sitter® models only.....	1
22	29295H	Element Coil 208V .....	3
22	29296W	Element Coil 230V .....	3
23	29299A	Upper or Lower Side Brick.....	8
23	29781Y	Bottom Brick 1 set.....	1 set
24	29306H	Side Insulation .....	4
24	29308K	Bottom Insulation.....	1
24	29793M	Lid Insulation .....	1
25	29784C	Lid Brick, 1 set.....	1 set
28	29264M	Eye Bolt W/Nuts .....	2
29	28825W	Pyrometer - Kiln-Sitter® models only.....	1
30	28841P	Thermocouple, 36" long, 7" probe - Kiln-Sitter® models only.....	1
31	28741B	Kiln Sitter®, LT-3 Model with Limit Timer, 208, 220/240 Volts, Single Phase Kiln-Sitter® models only .....	1
31	28739Y	Kiln Sitter® with Limit Timer and Relay, 208, 220/240 Volts, Three Phase Kiln-Sitter® models only .....	1
	29976T	KilnVent-Suspended Version, 115 Volt, 1.1 Amp (Optional Item) .....	1
	29968J	Master KilnVent, 115 Volt, 1.1 Amp (optional).....	1
	24122S	Select Fire (Wall Mount), Single Phase (optional).....	1
	24123T	Select Fire (Wall Mount), Three Phase (optional).....	1

- \* Special Order Item. Allow extra time for shipment.
- + Standard Hardware/Electrical Item available locally.
- \*\* Available only in Packages of Twelve each.  
Prices available upon request.



American Art Clay Co., Inc. • 6060 Guion Rd., Indianapolis, IN 46254  
(800) 374-1600 • [www.amaco.com](http://www.amaco.com) • Email: [TalkToUs@amaco.com](mailto:TalkToUs@amaco.com)